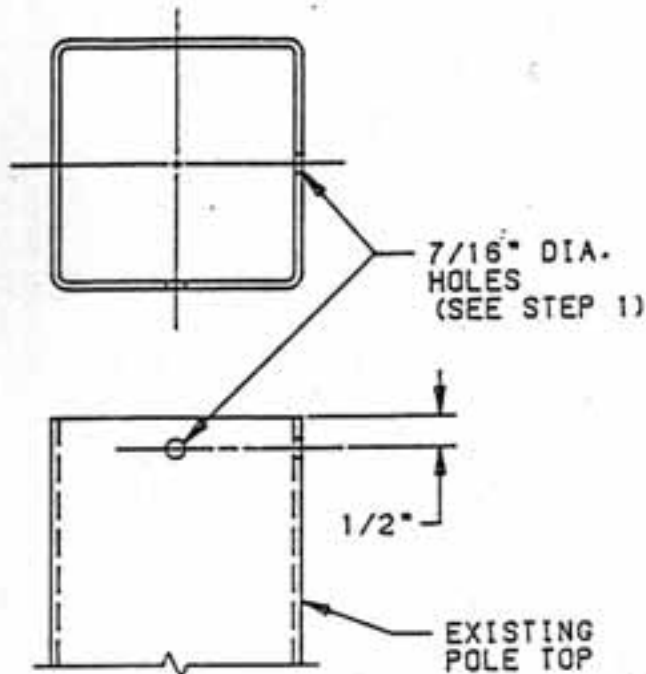


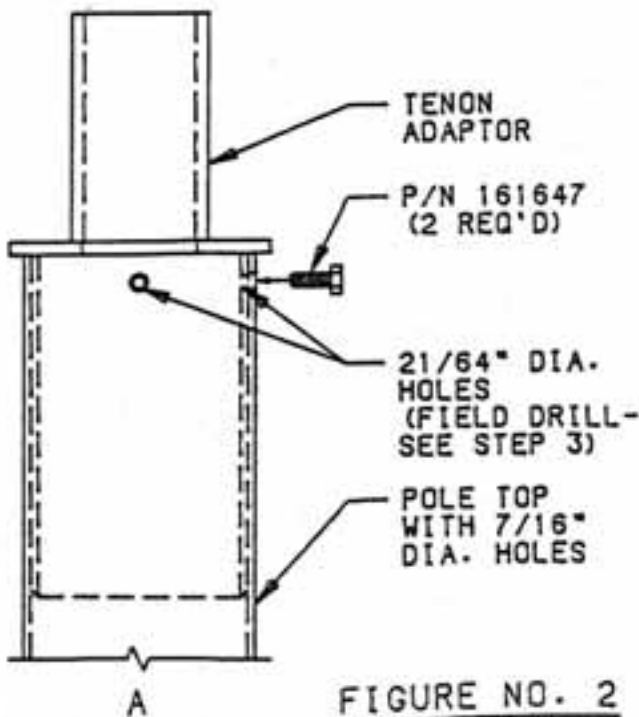
**INSTRUCTIONS FOR INSTALLING POLE TOP ADAPTOR**



**FIGURE NO. 1**

**INSTALLATION STEPS**

1. TWO (2) EXISTING 7/16" DIA. HOLES (IF NOT PRESENT- CENTER ON TWO ADJACENT FLATS AS SHOWN IN FIGURE NO. 1 AND FIELD DRILL).
- (SEE FIGURE NO. 2, A OR B, FOR STEPS 2, 3, & 4)
2. ALIGN BEVELED EDGES ON ADAPTOR WITH POLE FLATS AND INSERT ENTIRE LENGTH OF THE ADAPTOR TUBE IN THE END OF POLE SHAFT. ROTATE AS REQ'D TO ALIGN ADAPTOR WITH POLE FLATS.
3. USING THE TWO (2) 7/16" DIA. HOLES IN THE POLE WALL AS GUIDES, FIELD DRILL TWO (2) 21/64" DIA. HOLES THRU THE ADAPTOR TUBE.
4. INSERT 3/8"-16UNC THREAD ROLLING SCREWS (P/N 161647- 2 REQ'D) THRU THE 21/64" DIA. HOLES AND SECURE IN PLACE.



**FIGURE NO. 2**

